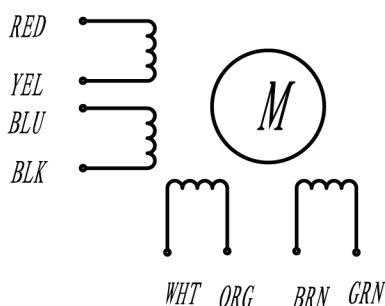


# HIGH TORQUE HYBIRD STEPPING MOTOR SPECIFICATIONS

General specifications	
Step Angle (°)	1.8
Temperature Rise (°C)	80 Max (rated current, 2 phase on)
Ambient Temperature (°C)	-20~+50
Number of Phase	2
Insulation Resistance (MΩ)	100 Min (500VDC)
Insulation Class	Class B
Max.radial force (N)	75 (20mm from the flange)
Max.axial force (N)	15

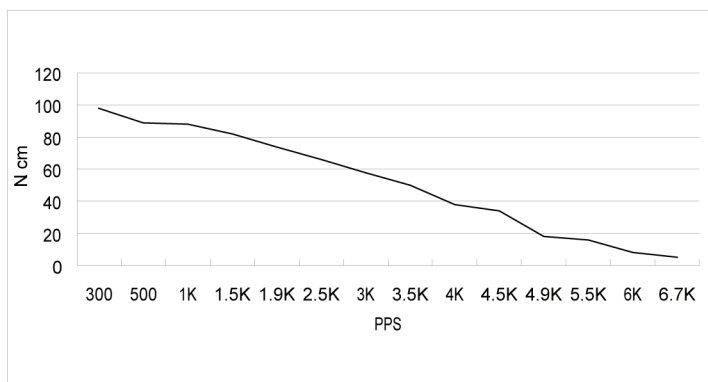
PHASE	STEP ANGLE	CONNECTION STYLE	CURRENT	RESISTANCE	INDUCTANCE	HOLDING TORQUE	ROTOR INERTIA	WEIGHT
	DEG/STEP		A	ohms	mH	N.m	gcm <sup>2</sup>	Kg
4	1.8,	Parallel	4.2	0.375	1.1	1.24	300	0.7
		Series	2.1	1.5	4.4			
		Unipolar	3.0	0.75	1.1	0.88		

● Wiring Diagram :



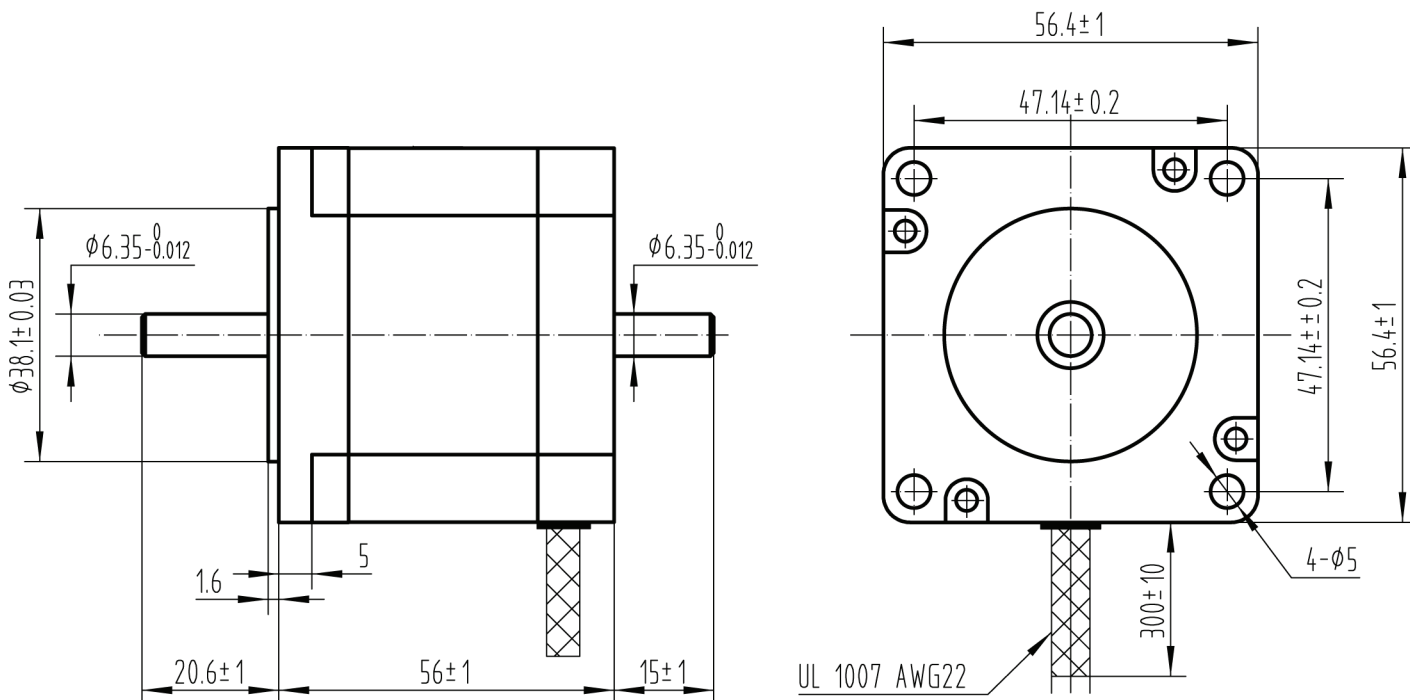
● Pull out torque curve :

VOLTAGE: 30VDC, CONSTANT CURRENT:2.1A, HIAF STEP(Series)



● Dimensions:

(unit=mm)



REV	REVISIONS	DESCRIPTION	BY	DATE
DRAW	王凯	2009.01.22		
CHECK				
APPROVE				

SY57STH56-3008B



Unit 1 Sovereign Business Park,  
Willis Way,  
Poole,  
Dorset,  
United Kingdom  
BH15 3TB  
www.zapautomation.com  
enquiries@zapautomation.com